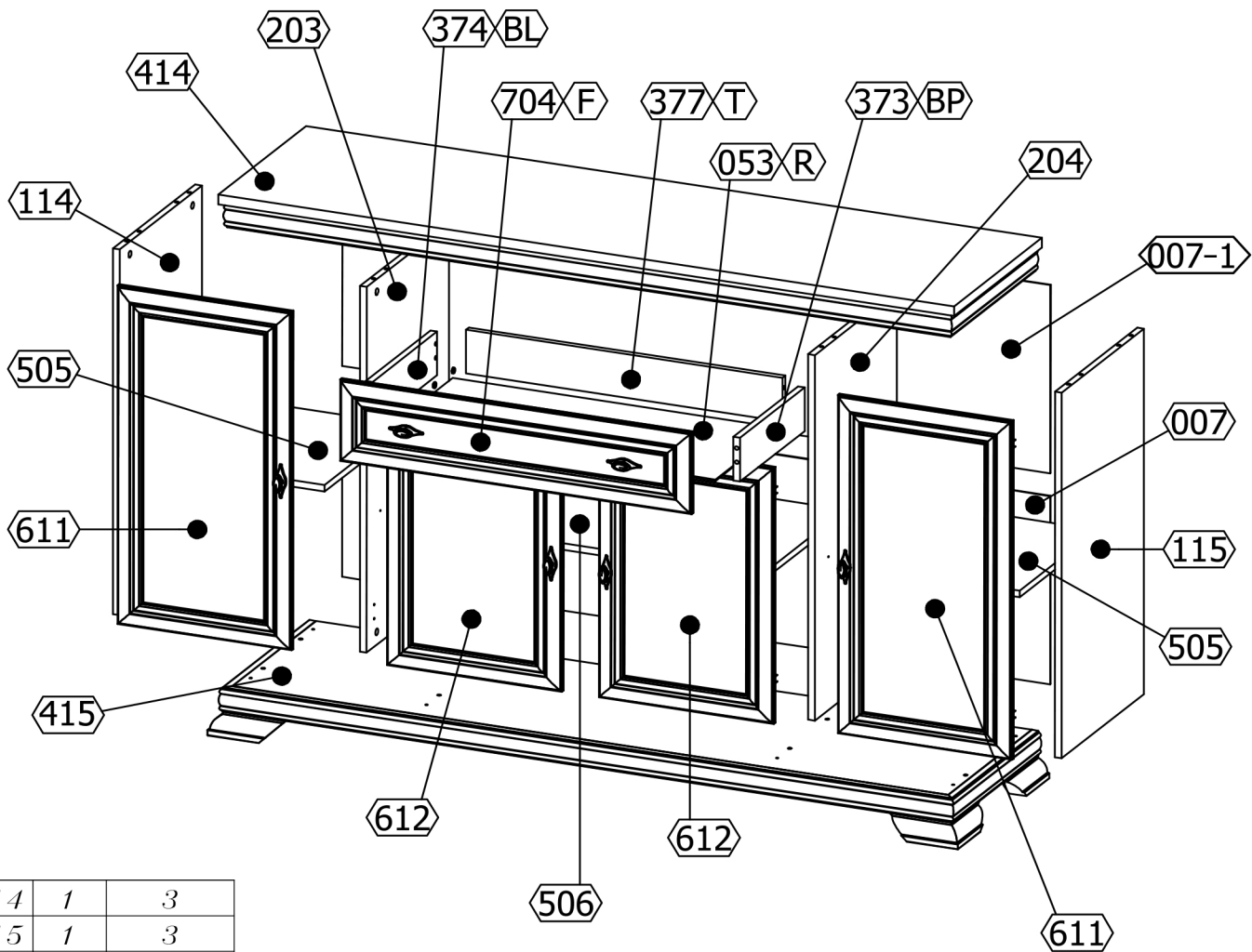
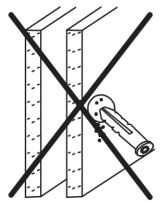
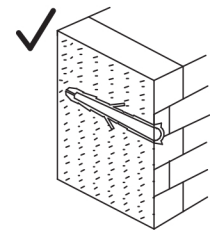
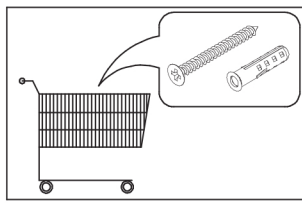
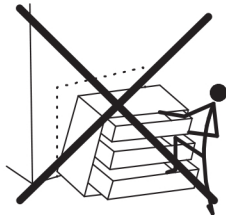
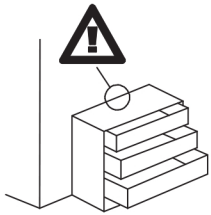


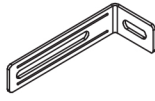
Kora KK4



1	414	1	3
2	415	1	3
3	114	1	1
4	115	1	1
5	203	1	1
6	204	1	1
7	007	1	3
	007-1	1	
8	505	2	1
9	506	1	1
10	611	2	2
11	612	2	2
12	704	1	1
13	373	1	1
14	374	1	1
15	377	1	1
16	053	1	3

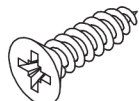


T4 x1

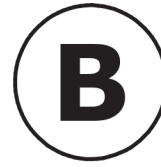
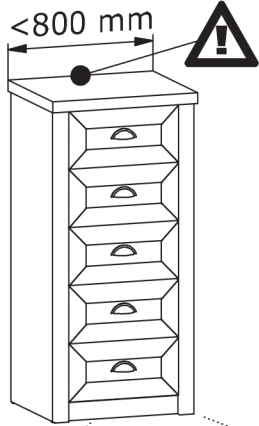


75x28x16 mm

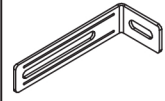
W2 x2



Ø3,5x16mm



T4 x2

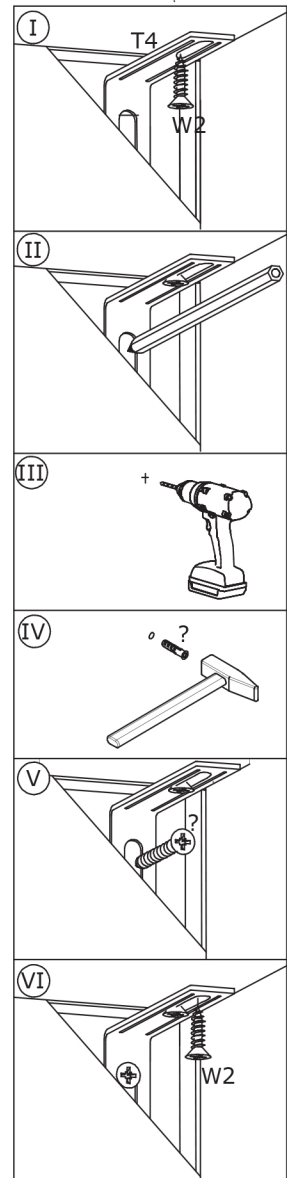
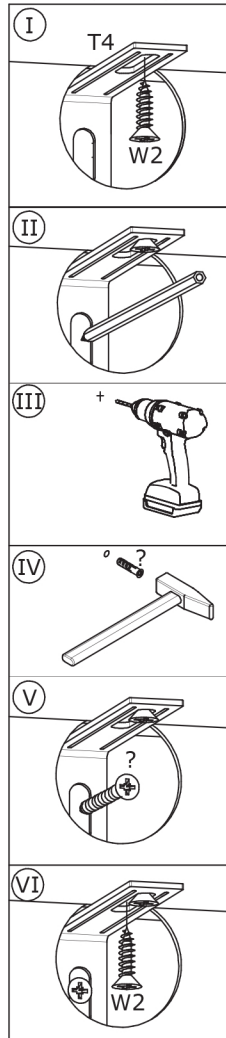
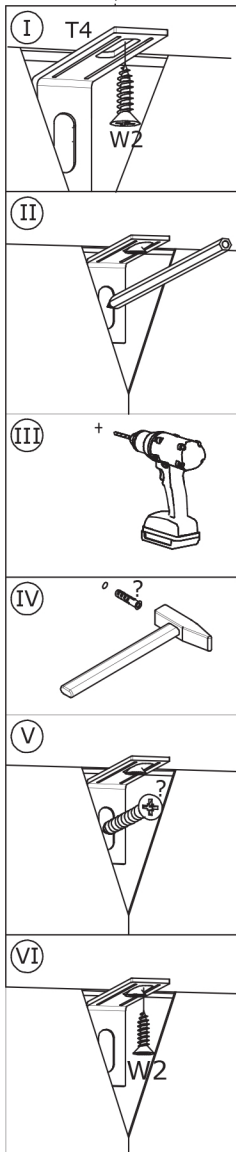
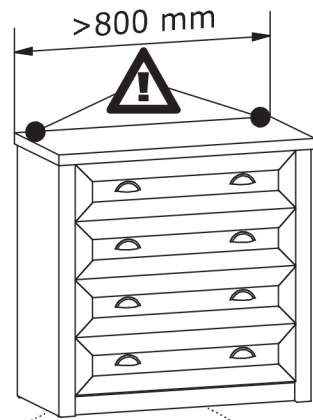


75x28x16 mm

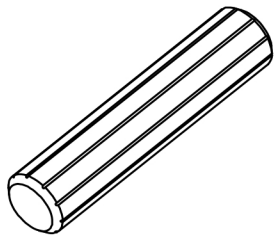
W2 x4



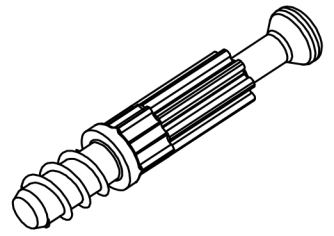
Ø3,5x16mm



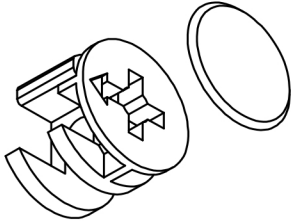
**A** x24  
(8x36)



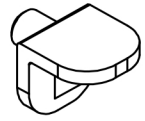
**B** x16



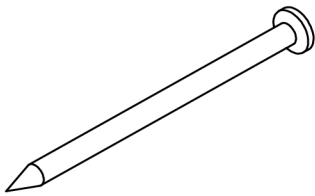
**C** x16  
(Ø15x12)



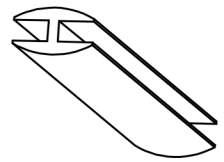
**E** x12



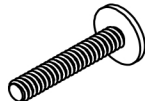
**G** x120



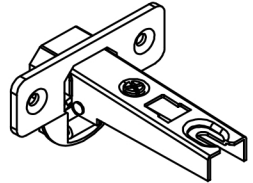
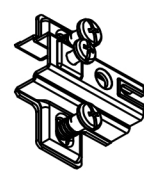
**H** x1



**M** x6  
+  
2 x X1 (M4x27)  
4 x X2 (M4x35)



**U** x8



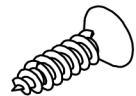
U2

U1

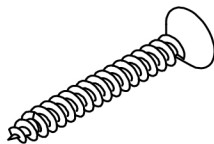
**Y** x6



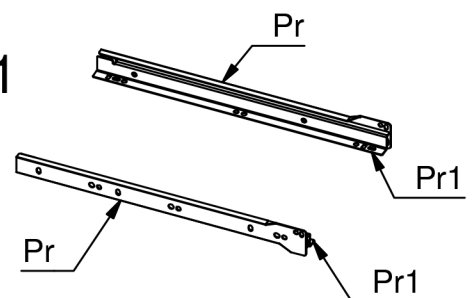
**W2** x22  
(3,5x16)



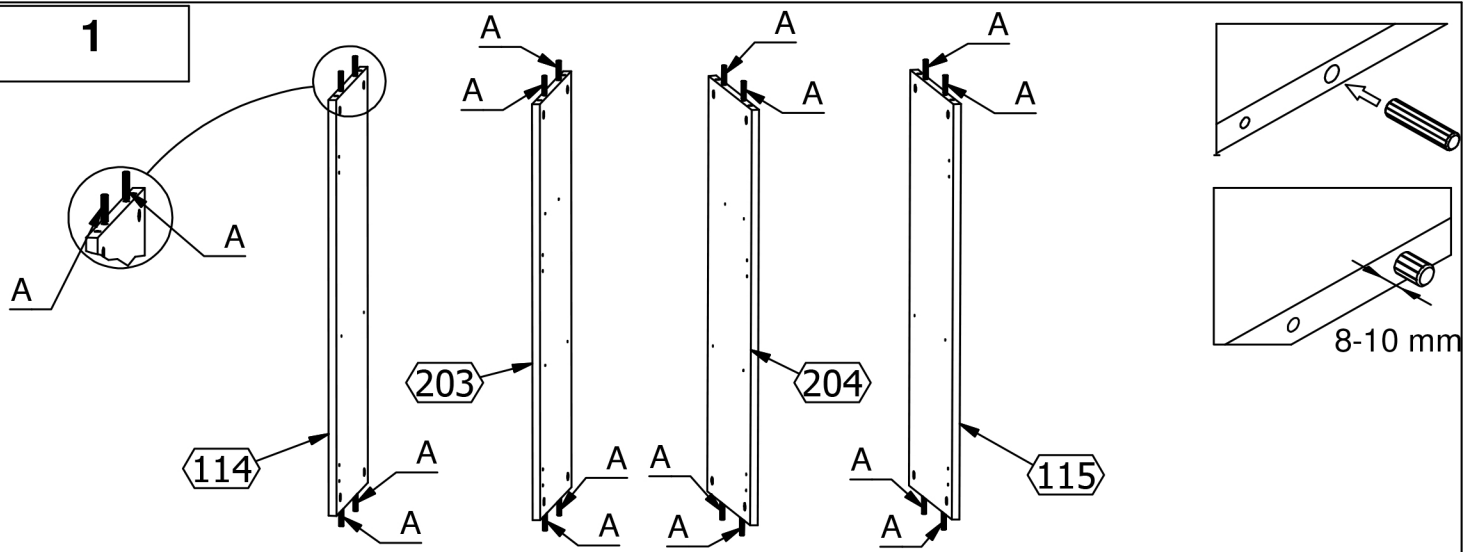
**W3** x4  
(3x25)



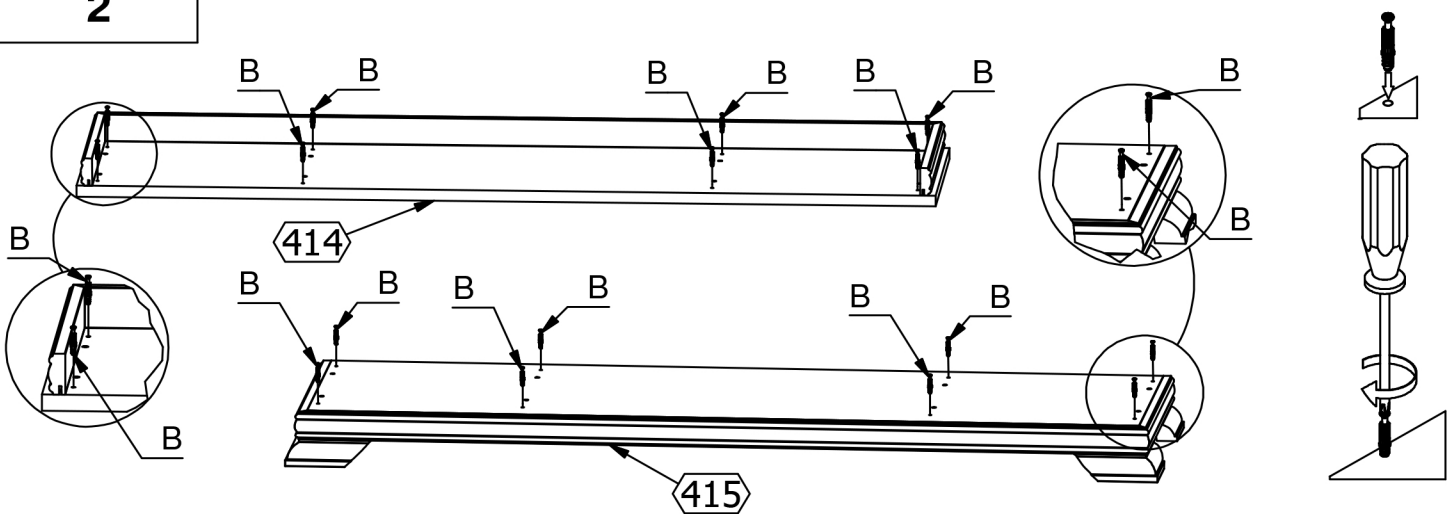
**P** x1



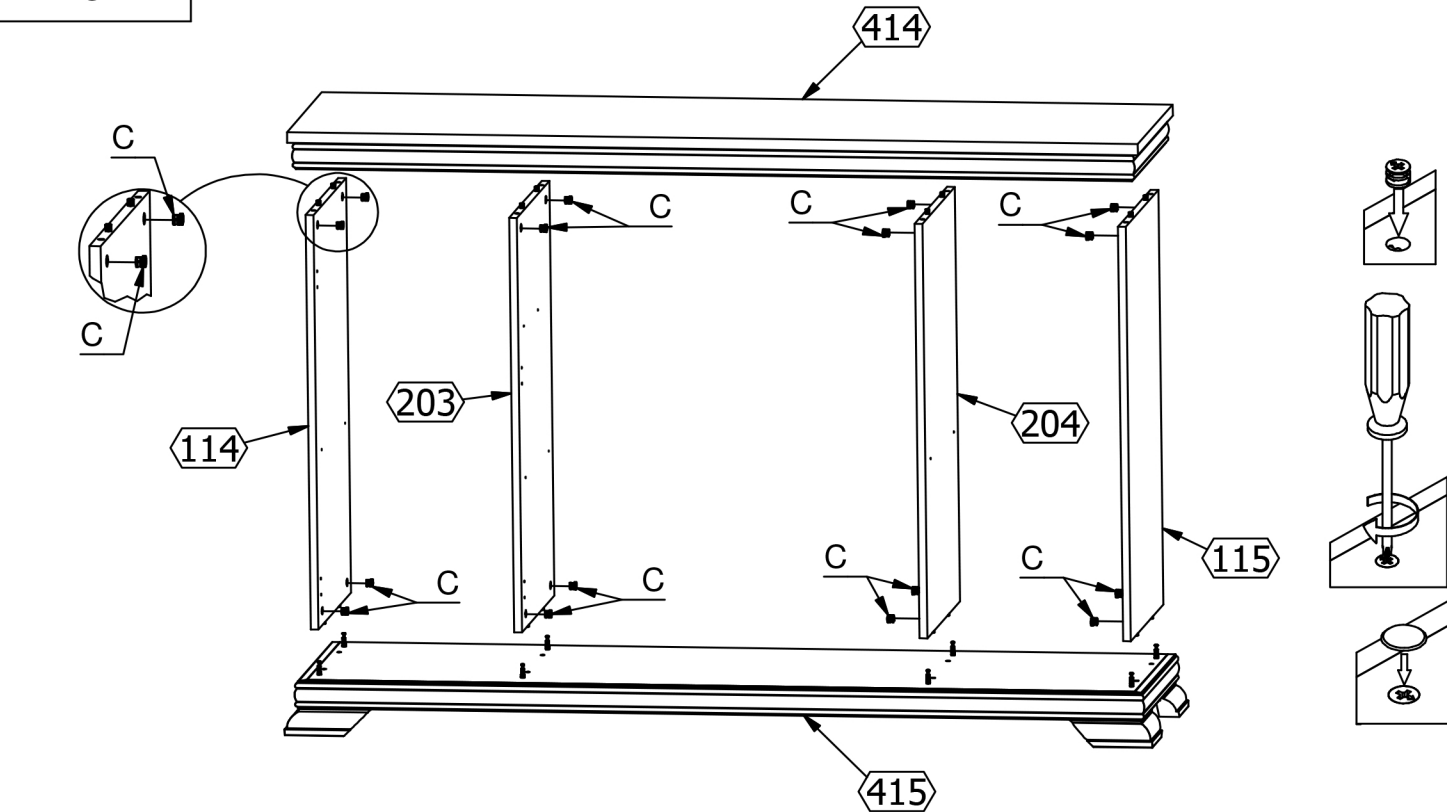
1



2



3

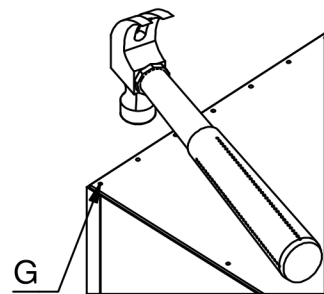
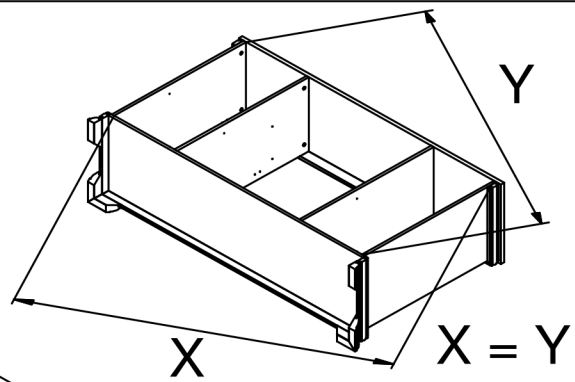
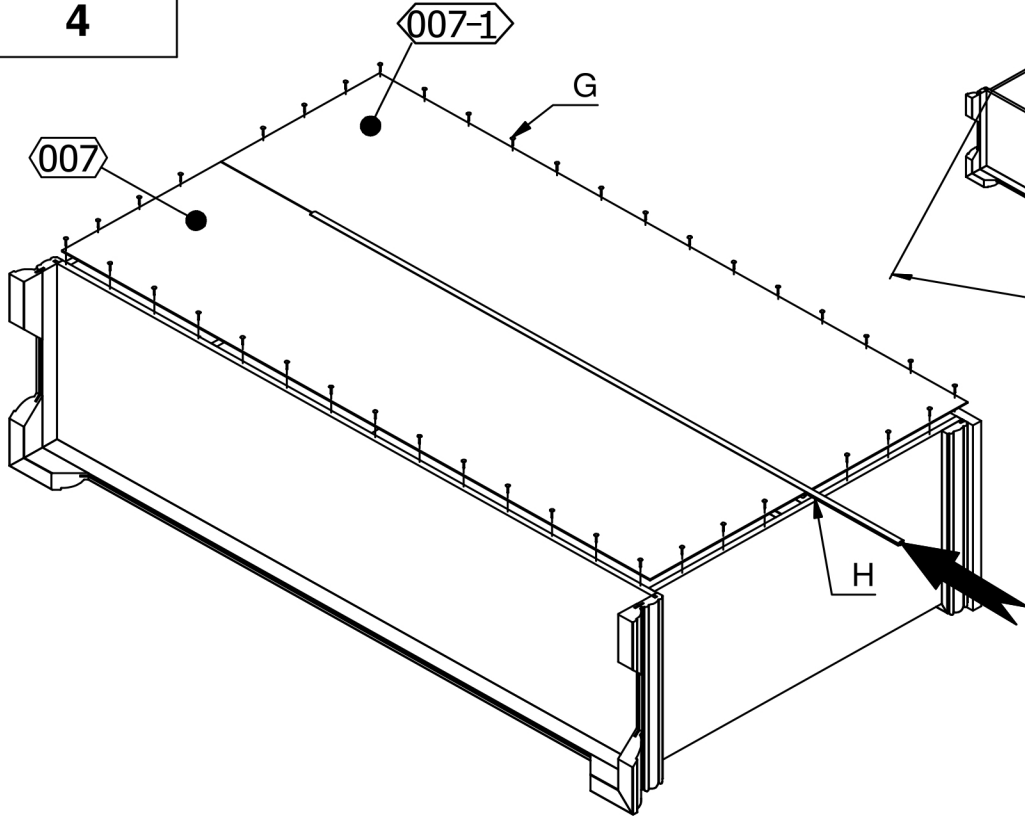




4

007-1

007

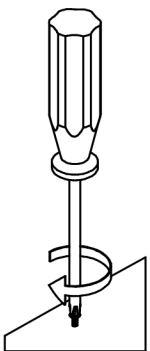
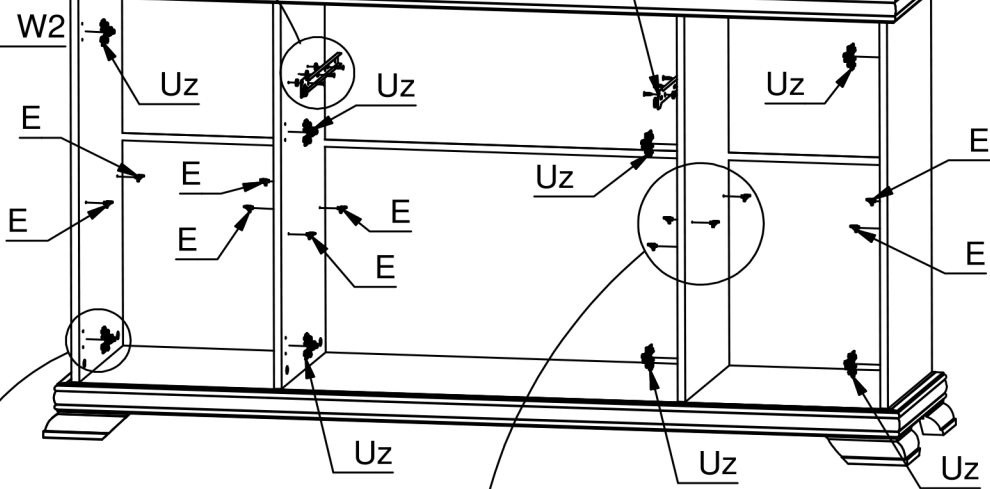


5

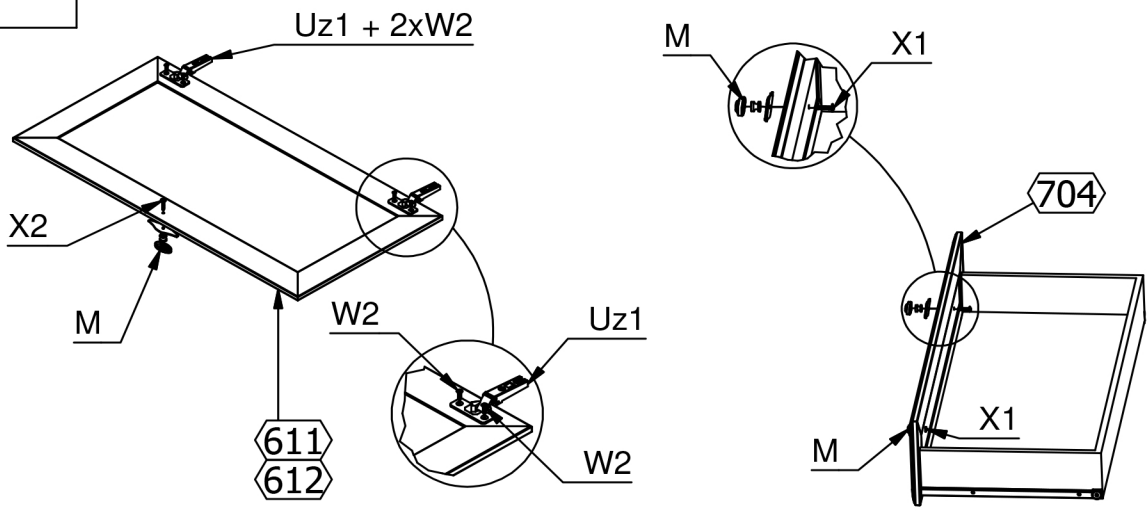
Y Pr

$Pr + 3xW1 + 3xY$

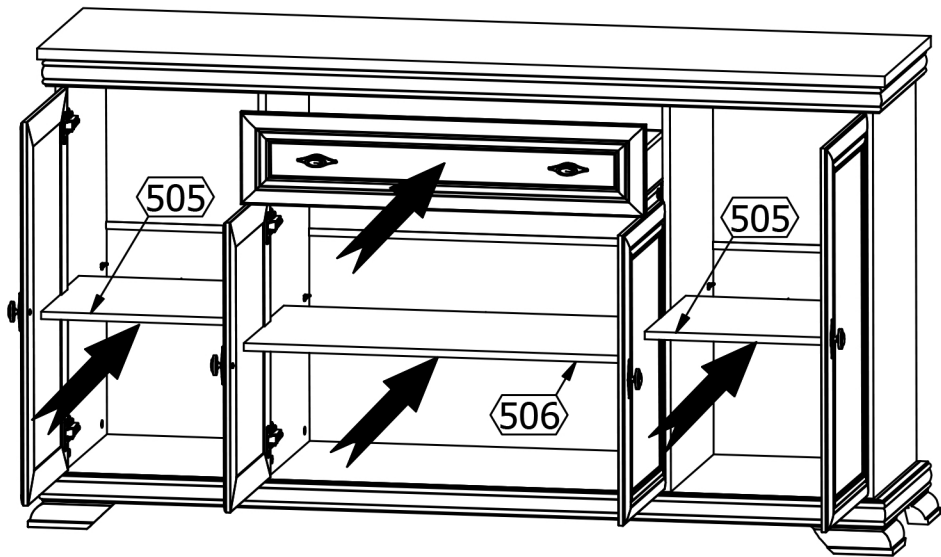
Y Pr

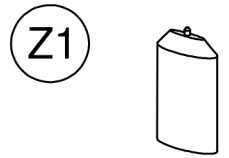
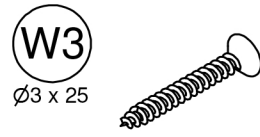
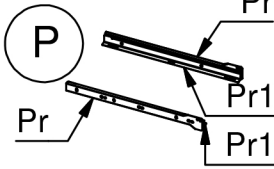
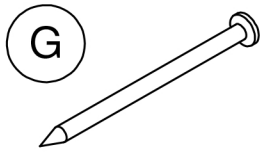
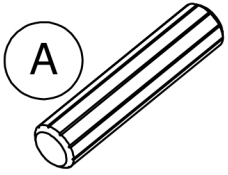
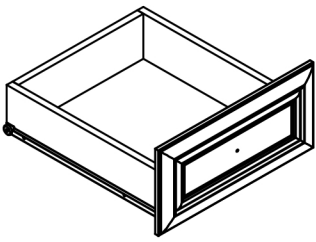


6

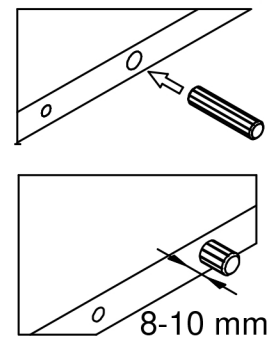
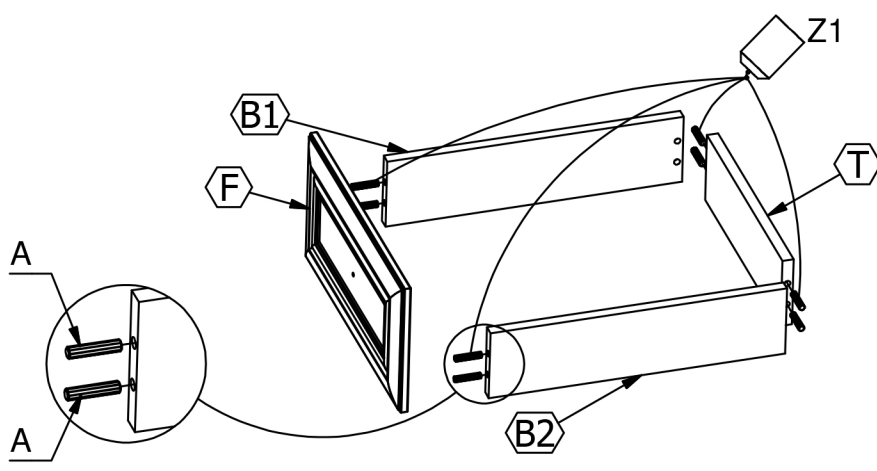


7

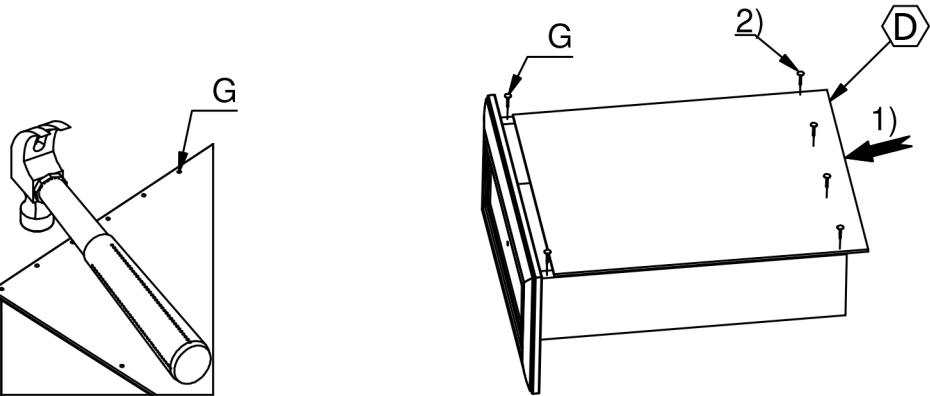




**I**



**II**



**III**

